

Operating Instructions

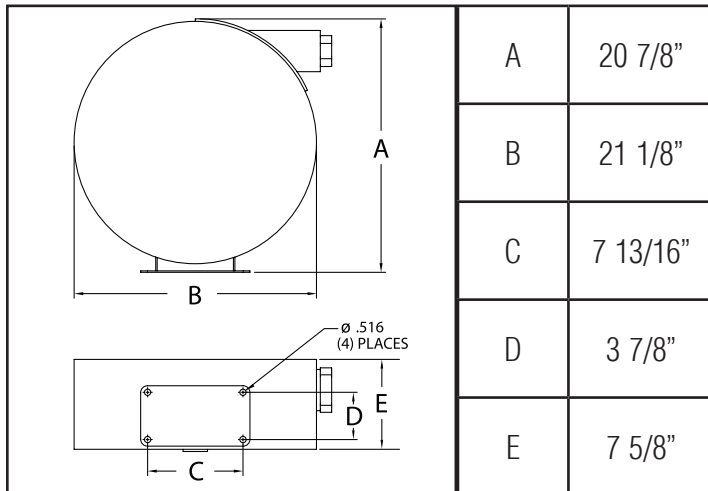
Series 7000 Spring Driven Hose Reels

Low, Medium and High Pressure Enclosed Model Numbers:

7600 ELP	7830 ELP	7830 EMP	7650 EHP
7640 ELP	7840 ELP	7850 EMP	
7650 ELP	7850 ELP	7400 EHP	
7670 ELP	7600 EMP	7450 EHP	
7800 ELP	7800 EMP	7600 EHP	



Dimensions



IMPORTANT

Read this manual carefully before installing, operating or servicing this equipment.

SAFETY

Personal injury and/or equipment damage may result if proper safety precautions are not observed.

- Ensure that reel is properly installed before connecting input and output hoses.
- Bleed fluid/gas pressure from system before servicing reel.
- Before connecting reel to supply line, ensure that pressure does not exceed maximum working pressure rating of reel.
- Remember, even low pressure is very dangerous and can cause personal injury or death.
- Be aware of machinery and personnel in work area.
- If a leak occurs in the hose or reel, remove system pressure immediately.
- A high tension spring assembly is contained within the reel. Exercise extreme caution.
- Pull hose from reel by grasping the hose itself, not the control valve.
- Ensure that reel, hose, and equipment being serviced are properly grounded. Use an ohmmeter to check ground continuity.
- If reel ceases to unwind or rewind, remove system pressure immediately. Do not pull or jerk on hose!
- Treat and respect the hose reel as any other piece of machinery, observing all common safety practices.

Form# 829-696D Rev: 4/2017

INSTALLATION INSTRUCTIONS

MOUNTING

Caution: Unless reel was specified differently when ordering, maximum installation height is 16 feet. Do not exceed this distance.

1. Unpack and inspect reel for damage. Turn by hand to check for smooth operation. Check for completeness.
2. Configure reel for top, side or bottom-wind hose dispensing by removing nuts (1) securing guide arm bracket (2). Position guide arm bracket to desired location, and replace nuts.

Caution: When changing guide arm positions, the U-bolt must be placed in the proper location as instructed in figure A below. The reel can “latch out” during use if this instruction is not adhered to.

3. Position reel on floor, wall, or ceiling. Secure into place using four (customer supplied) bolts (3).

INSTALLING THE INPUT HOSE(S)

Warning: Ensure that supply line pressure does not exceed maximum working pressure rating of reel. Apply pipe thread sealant to all threads.

Caution: Use flexible hose connection at input. Do not use rigid plumbing.

1. Connect supply line hose (4) to main shaft input (5) as indicated in illustration.

INSTALLING THE OUTPUT HOSE(S)

Warning: Use extreme caution; reel under tension. Avoid releasing latch mechanism. Apply pipe thread sealant to all threads.

1. Manually turn sheave (10) until spring is tight, back off 3 turns, then latch.
2. Route output hose(s) (11) through guide arm bracket (2), U-bolts (12), then through cutout (13) in spool as indicated in illustration.
3. Connect output hose(s) (11) to swivel (14) as indicated in illustration.
4. Tighten U-bolts (12).
5. Charge hose(s). Momentarily open control valve to purge hose(s) of gases. When fluid appears at control valve, close valve. With hose(s) fully charged, release latch and wind output hose(s) onto reel.

ADJUSTMENTS

Warning: Use extreme caution; reel under tension. Avoid releasing latch mechanism. If necessary, adjust spring tension on reel by adding or removing wraps of hose from spool, one wrap at a time, until desired tension is obtained. Add wraps to increase tension. Remove wraps to decrease tension.

SERVICE INSTRUCTIONS

User servicing of the reel is limited to replacing input/output hoses only. Refer all other repairs to an authorized service person or directly to Reelcraft. Failure to do so can result in personal injury and/or equipment damage and may void the warranty. **Warning:** Rewind hose on reel, then bleed pressure from system before performing the following procedures.

1. Replace hoses in accordance with procedures given in “Installation Instructions” section of this manual.

Caution: When replacing drive spring, hold the center of the spring down as the hub is pulled out. If the center is allowed to raise up, the spring may escape from it’s container with enough force to cause injuries.

When disposing of old or broken spring assemblies, the coils should be welded or wired together to prevent possible injury to scrap handling personnel.

2. All mating moving parts are to be lubricated with Perma Bond or Loctite anti-seize compound.

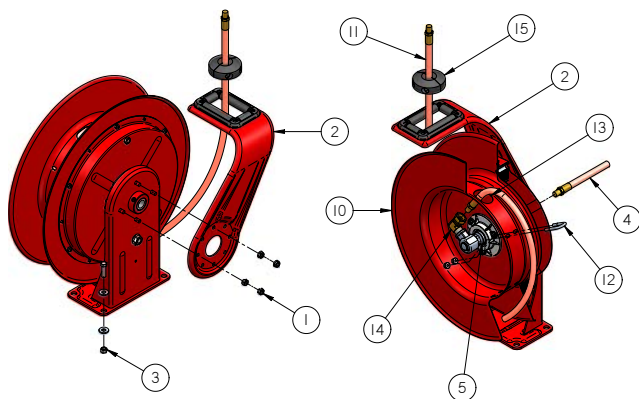
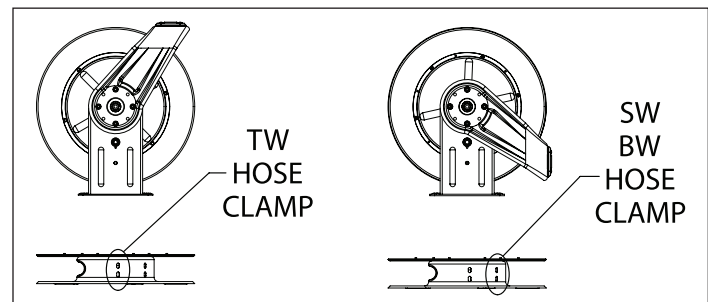
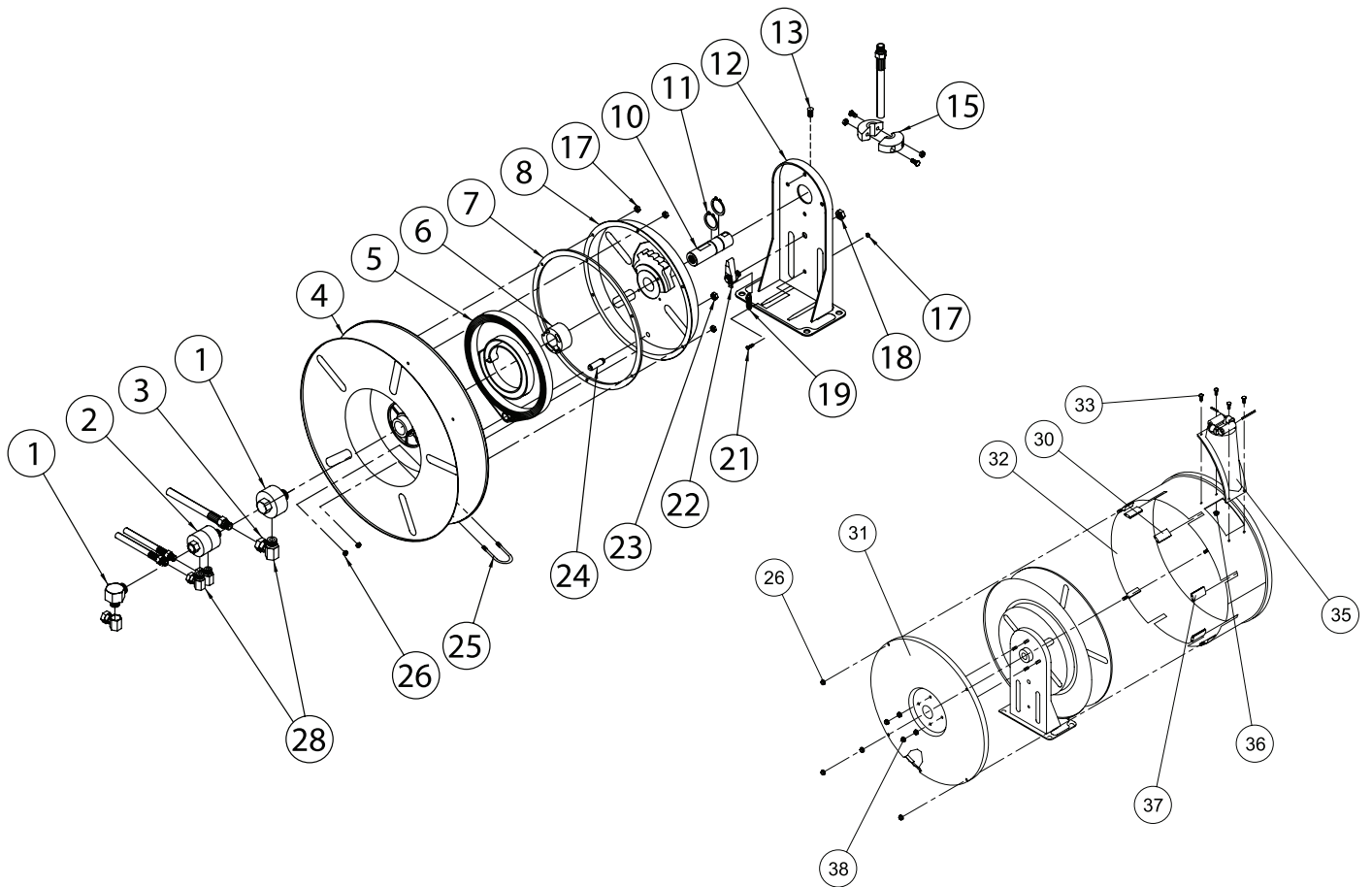


Figure A



Series 7000 Spring Driven Hose Reels



Item #	Description	# Req.	7600 ELP	7640 ELP	7650 ELP	7670 ELP	7800 ELP	7830 ELP
1	Swivel Assembly	1	S600923-1	S600923-1	S600923-1	S600923-1	S600923-1	S600923-1
3	90° Ell	1	None	None	None	None	None	None
4	Sheave Assembly	1	S260011	S260011	S260011	S260011	S260011	S260011
5	Drive Spring Assembly	1	S260028	S260028-1	S260028-1	S260028-1	S260037	S260037
6	Spring Arbor Assembly	1	S600621	S600621	S600621	S600621	S600621	S600621
7	Gasket	1	S260069	S260069	S260069	S260069	S260069	S260069
8	Spring Case Assembly	1	S260074	S260074	S260074	S260074	S260074	S260074
10	Main Shaft	1	S260095	S260095	S260095	S260095	S260095	S260095
11	1 1/4" Snap Ring	1	300007	300007	300007	300007	300007 (x2)	300007
12	Base Assembly	1	S600016	S600016	S600016	S600016	S600016	S600016
13	1/2-13 Set Screw	1	S35-84	S35-84	S35-84	S35-84	S35-84	S35-84
15	Bumper Stop Assembly	1	None	1-HR1004-3	1-HR1004-3	1-HR1004-3	None	2-HR1004-3
17	10-32 x 3/8" Nyloc Nut	7	S82-15	S82-15	S82-15	S82-15	S82-15	S82-15
18	1/2-20 x 5/8" Hex Nut	1	S280-8	S280-8	S280-8	S280-8	S280-8	S280-8
19	Latch Spring	1	S260067	S260067	S260067	S260067	S260067	S260067
21	10-32 Shoulder Screw	1	S393-2	S393-2	S393-2	S393-2	S393-2	S393-2
22	Latch Pawl Assembly	1	S600018	S600018	S600018	S600018	S600018	S600018
23	3/8-24 Jam Nut	1	S76-106	S76-106	S76-106	S76-106	S76-106	S76-106
24	Spring Case Stud	1	S260031	S260031	S260031	S260031	S260031	S260031
25	U-bolt	1	3-117440	3-117440	3-117440	3-117440	3-117440	3-117440
26	1/4-20 x 3/8" Locknut	6	261650-1	261650-1	261650-1	261650-1	261650-1	261650-1
28	Swivel Union	1	S257-26	S257-26	S257-26	S257-26	S257-26	S257-26
30	H Channel	1	260547-2	260547-2	260547-2	260547-2	260547-2	260547-2
31	Back Cover	1	260491	260491	260491	260491	260491	260491
32	Cover/Enclosure Assembly	1	600188	600188	600188	600188	600188	600188
33	10-32 x 1/2" RH Screw	4	300001	300001	300001	300001	300001	300001
35	Hose Guide/Roller Assembly	1	260032	260032	260032	260032	260032	260032
36	10 x 32 Plug Nut	4	906476	906476	906476	906476	906476	906476
37	H Channel	3	S260547-1	S260547-1	S260547-1	S260547-1	S260547-1	S260547-1
38	5/16 - 18 Locknut	4	300107	300107	300107	300107	300107	300107
	Hose Assembly		None	601014-40	601017-50	601017-70	None	601021-30
	Hose I.D. x Length		None	3/8" x 40'	3/8" x 50'	3/8 x 70'	None	1/2" x 30'
	Reel Inlet Connection		1/2" FPT	1/2" FPT	1/2" FPT	1/2" FPT	1/2" FPT	1/2" FPT
	Max. Operating Pressure		500 PSI	300 PSI	300 PSI	300 PSI	500 PSI	300 PSI
	Max. Operating Temperature		150 °F	150 °F	150 °F	150 °F	150 °F	150 °F

Series 7000 Spring Driven Hose Reels

Item #	Description	# Req.	7840 ELP	7850 ELP	7600 EMP	7800 EMP	7830 EMP
1	Swivel Assembly	1	S600923-1	S600923-1	S600300	S600300	S600300
3	90° Ell	1	None	None	None	None	None
4	Sheave Assembly	1	S260011	S260011	S260011	S260011	S260011
5	Drive Spring Assembly	1	S260037	S260037	S260053	S260053	S260053
6	Spring Arbor Assembly	1	S600621	S600621	S600621	S600621	S600621
7	Gasket	1	S260069	S260069	S260069	S260069	S260069
8	Spring Case Assembly	1	S260074	S260074	S260074	S260074	S260074
10	Main Shaft	1	S260095	S260095	S260095	S260095	S260095
11	1 1/4" Snap Ring	1	300007	300007	300007	300007	300007
12	Base Assembly	1	S600016	S600016	S600016	S600016	S600016
13	1/2-13 Set Screw	1	S35-84	S35-84	S35-84	S35-84	S35-84
15	Bumper Stop Assembly	1	2-HR1004-3	2-HR1004-3	None	None	2-HR1004-3
17	10-32 x 3/8" Nyloc Nut	7	S82-15	S82-15	S82-15	S82-15	S82-15
18	1/2-20 x 5/8" Hex Nut	1	S280-8	S280-8	S280-8	S280-8	S280-8
19	Latch Spring	1	S260067	S260067	S260067	S260067	S260067
21	10-32 Shoulder Screw	1	S393-2	S393-2	S393-2	S393-2	S393-2
22	Latch Pawl Assembly	1	S600018	S600018	S600018	S600018	S600018
23	3/8-24 Jam Nut	1	S76-106	S76-106	S76-106	S76-106	S76-106
24	Spring Case Stud	1	S260031	S260031	S260031	S260031	S260031
25	U-bolt	1	3-117440	3-117440	3-117440	3-117440	3-117440
26	1/4-20 x 3/8" Locknut	6	261650-1	261650-1	261650-1	261650-1	261650-1
28	Swivel Union	1	S257-26	S257-26	S257-26	S257-26	S257-26
30	H Channel	1	260547-2	260547-2	260547-2	260547-2	260547-2
31	Back Cover	1	260491	260491	260491	260491	260491
32	Cover/Enclosure Assembly	1	600188	600188	600188	600188	600188
33	10-32 x 1/2" RH Screw	4	300001	300001	300001	300001	300001
35	Hose Guide/Roller Assembly	1	260032	260032	260032	260032	260032
36	10 x 32 Plug Nut	4	906476	906476	906476	906476	906476
37	H Channel	3	S260547-1	S260547-1	S260547-1	S260547-1	S260547-1
38	5/16 - 18 Locknut	4	300107	300107	300107	300107	300107
Hose Assembly			601019-40	601021-50	None	None	6-260043
Hose I.D. x Length			1/2" x 40'	1/2" x 50'	None	None	1/2" x 30'
Reel Inlet Connection			1/2" FPT	1/2" FPT	1/2" FPT	1/2" FPT	1/2" FPT
Max. Operating Pressure			300 PSI	300 PSI	3000 PSI	3250 PSI	3250 PSI
Max. Operating Temperature			150 °F	150 °F	210 °F	210 °F	210 °F

Item #	Description	# Req.	7850 EMP	7400 EHP	7450 EHP	7600 EHP	7650 EHP
1	Swivel Assembly	1	S600300	S602110	S602110	S602110	S602110
3	90° Ell	1	None	None	None	None	None
4	Sheave Assembly	1	S260011	S600364	S600364	S600364	S600364
5	Drive Spring Assembly	1	S260053	S260053	S260053	S260053	S260053
6	Spring Arbor Assembly	1	S600621	S600621	S600621	S600621	S600621
7	Gasket	1	S260069	S260069	S260069	S260069	S260069
8	Spring Case Assembly	1	S260074	S260074	S260074	S260074	S260074
10	Main Shaft	1	S260095	S260095	S260095	S260095	S260095
11	1 1/4" Snap Ring	1	300007	300007	300007	300007	300007
12	Base Assembly	1	S600016	S600016	S600016	S600016	S600016
13	1/2-13 Set Screw	1	S35-84	S35-84	S35-84	S35-84	S35-84
15	Bumper Stop Assembly	1	2-HR1004-3	None	1-HR1004-3A	None	1-HR1004-3
17	10-32 x 3/8" Nyloc Nut	7	S82-15	S82-15	S82-15	S82-15	S82-15
18	1/2-20 x 5/8" Hex Nut	1	S280-8	S280-8	S280-8	S280-8	S280-8
19	Latch Spring	1	S260067	S260067	S260067	S260067	S260067
21	10-32 Shoulder Screw	1	S393-2	S393-2	S393-2	S393-2	S393-2
22	Latch Pawl Assembly	1	S600018	S600018	S600018	S600018	S600018
23	3/8-24 Jam Nut	1	S76-106	S76-106	S76-106	S76-106	S76-106
24	Spring Case Stud	1	S260031	S260031	S260031	S260031	S260031
25	U-bolt	1	3-117440	3-117440	3-117440	3-117440	3-117440
26	1/4-20 x 3/8" Locknut	6	261650-1	261650-1	261650-1	261650-1	261650-1
28	Swivel Union	1	S257-26	S257-72	S257-72	S257-72	S257-72
30	H Channel	1	260547-2	260547-2	260547-2	260547-2	260547-2
31	Back Cover	1	260491	260491	260491	260491	260491
32	Cover/Enclosure Assembly	1	600188	600188	600188	600188	600188
33	10-32 x 1/2" RH Screw	4	300001	300001	300001	300001	300001
35	Hose Guide/Roller Assembly	1	260032	260032	260032	260032	260032
36	10 x 32 Plug Nut	4	906476	906476	906476	906476	906476
37	H Channel	3	S260547-1	S260547-1	S260547-1	S260547-1	S260547-1
38	5/16 - 18 Locknut	4	300107	300107	300107	300107	300107
Hose Assembly			8-260043	None	9-260044	None	5-260044
Hose I.D. x Length			1/2" x 50'	None	1/4" x 50'	None	3/8" x 50'
Reel Inlet Connection			1/2" FPT	1/2" FPT	1/2" FPT	1/2" FPT	1/2" FPT
Max. Operating Pressure			3250 PSI	5000 PSI	5000 PSI	5000 PSI	4800 PSI
Max. Operating Temperature			210 °F	210 °F	210 °F	210 °F	210 °F

Instrucciones de Operacion

Series 7000 Carretes para Mangueras

Bajo, medio y números de modelo de alta presión:

7600 ELP	7830 ELP	7830 EMP	7650 EHP
7640 ELP	7840 ELP	7850 EMP	
7650 ELP	7850 ELP	7400 EHP	
7670 ELP	7600 EMP	7450 EHP	
7800 ELP	7800 EMP	7600 EHP	



Dimensions

	A	20 7/8"
	B	21 1/8"
	C	7 13/16"
	D	3 7/8"
	E	7 5/8"

IMPORTANTE

Lea este manual detenidamente antes de instalar, operar o dar servicio a este equipo.

Seguridad

Podrían ocurrir lesiones personales y/o daños en el equipo si no se siguen las instrucciones de seguridad adecuadas.

- Asegúrese de que el carretel esté instalado apropiadamente antes de conectar las mangueras de entrada y de salida.
- Purgue la presión de fluidos/gases del sistema antes de suministrar servicio al carretel.
- Antes de conectar el carretel a la línea de suministro, asegúrese de que la presión no exceda la clasificación máxima de la presión operativa del carretel.
- Recuerde que aún la presión baja es muy peligrosa y podría causar lesiones personales o la muerte.
- Esté atento y fíjese si hay maquinaria o personas en el área de trabajo.
- Si existe una fuga en la manguera o en el carretel, elimine inmediatamente la presión del sistema.
- Hay un ensamblaje de resorte de tensión alta en el interior del carretel. Sea extremadamente precavido.
- Jale la manguera del carretel sujetando la manguera, y no la válvula de control.
- Si el carretel deja de desenrollarse o enrollarse, elimine inmediatamente la presión del sistema. ¡No jale ni sacuda la manguera!
- Trate y utilice el carretel de manguera como lo haría con cualquier otra máquina, siguiendo todas las pautas de seguridad generales.

INSTRUCCIONES DE INSTALACIÓN

Montaje

PRECAUCIÓN: A menos de que el carretel haya sido suministrado con características diferentes al ordenarlo, la altura máxima de instalación es de 16 pies. No exceda esta altura.

1. Déballez l'enrouleur et inspectez-le pour décèler le dommage. Faites tourner à la main pour vérifier le bon fonctionnement. Vérifiez l'enrouleur pour voir s'il est complet.
2. Agencez l'enrouleur en prévision d'une sortie laterale, par le haut, ou par le bas en enlevant les écrous qui correspondent au support. Fixez le support guide la position désirée, et remplacez les écrous.

ATENCIÓN: Al cambiar las posiciones del brazo guía, el perno en U debe colocarse en la posición correcta, como se indica en la figura A. Si no se cumple con esta instrucción, el carrete puede bloquearse durante el uso.

3. Positionnez l'enrouleur au sol, au mur, ou au plafond. Fixez-le solidement en utilisant 4 boulons (fournis par le client).

INSTALACIÓN DE LA MANGUERA DE ENTRADA

ADVERTENCIA: Asegure que la línea de abastecimiento de presión no exceda el máximo rango de trabajo de presión del carretel. Aplique sellante de roscas para tubería. **PRECAUCIÓN:** Use conexiones

de manguera flexible en la entrada. No use tubería rígida.

1. Conecte la línea de abastecimiento de la manguera (4) a la entrada principal del canal del eje giratorio (5) como se indica en la ilustración.

INSTALACIÓN DE LA SALIDA DE LA(S) MANGUERA(S)

ADVERTENCIA: Use extrema precaución; carretel bajo tensión. Aplique sellante de roscas para tubería a todas las roscas estándar.

1. Manualmente gire la rueda excentrica o riel (10) hasta que el resorte este apretado, devuelvalo 3 giros y entonces asegurelo.
2. Encamine la(s) salida(s) de la manguera(s) (11) hasta la guía de soporte de el brazo (2), tornillos-U (12) entonces saquelos atravez (13) del carretel como se indica en la ilustración.
3. Conecte la(s) salida(s) de la(s) (11) a el eje giratorio (14) como se indica en la ilustración.
4. Aprite los tornillos-U (12).
5. Cargue las mangueras.

Momentaneamente abra la valvula de control para purgar la mangueras de los gases cuando el fluido aparesca en el control de las valvulas, cierre la valvula, Con las mangueras totalmente cardas, suelte el seguro y enrolle la(s) manguera(s) sobre el carretel.

AJUSTAMIENTOS

ADVERTENCIA: Use extrema precaución, carretel bajo tensión. Evite soltar el seguro mecanico. Si es necesario, ajuste el resorte de tensión de el carretel poniendo ó quitando vueltas de la manguera del carretel una vuelta a la vez hasta que la tensión deseada es obtenida. Adicione vueltas para incrementar la tensión. Quite vueltas para decrecer la tensión.

INSTRUCCIONES DE SERVICIO

El suministro de servicio por parte del usuario se limita únicamente a reemplazar mangueras de entrada/salida. Remita cualquier otra reparación a un técnico de servicio autorizado o directamente a Reelcraft. El no hacerlo podría resultar en lesiones personales y/o daños del equipo que podrían anular la garantía.

Advertencia: Enrolle la manguera en el carretel, y después purgue la presión del sistema antes de efectuar los siguientes procedimientos. **Precaución:** Elimine toda la tensión del resorte antes de desensamblar el carretel de manguera. No trate de abrir el ensamblaje remachado de la caja de resorte.

1. Reemplace la manguera de acuerdo con los procedimientos de la sección Instrucciones de Instalación de este manual.
2. Todas las partes móviles correspondientes han sido lubricadas adecuadamente en la fábrica.

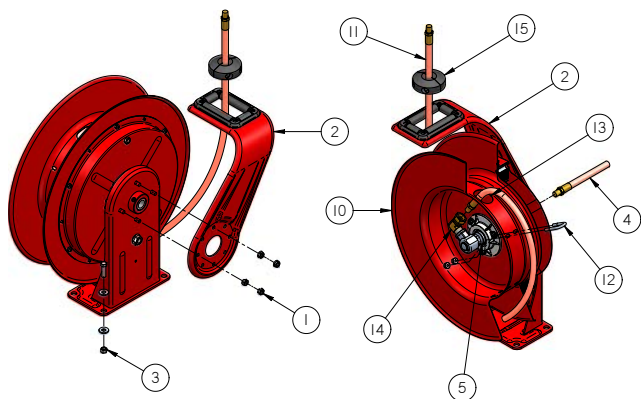
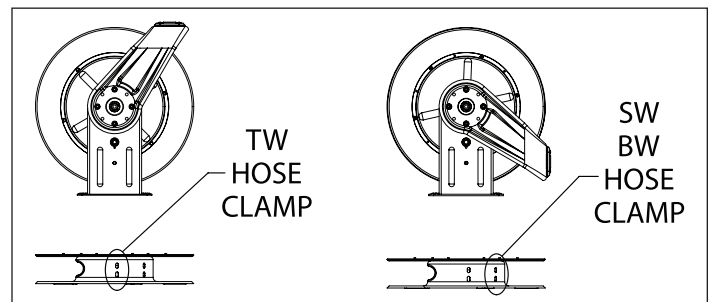
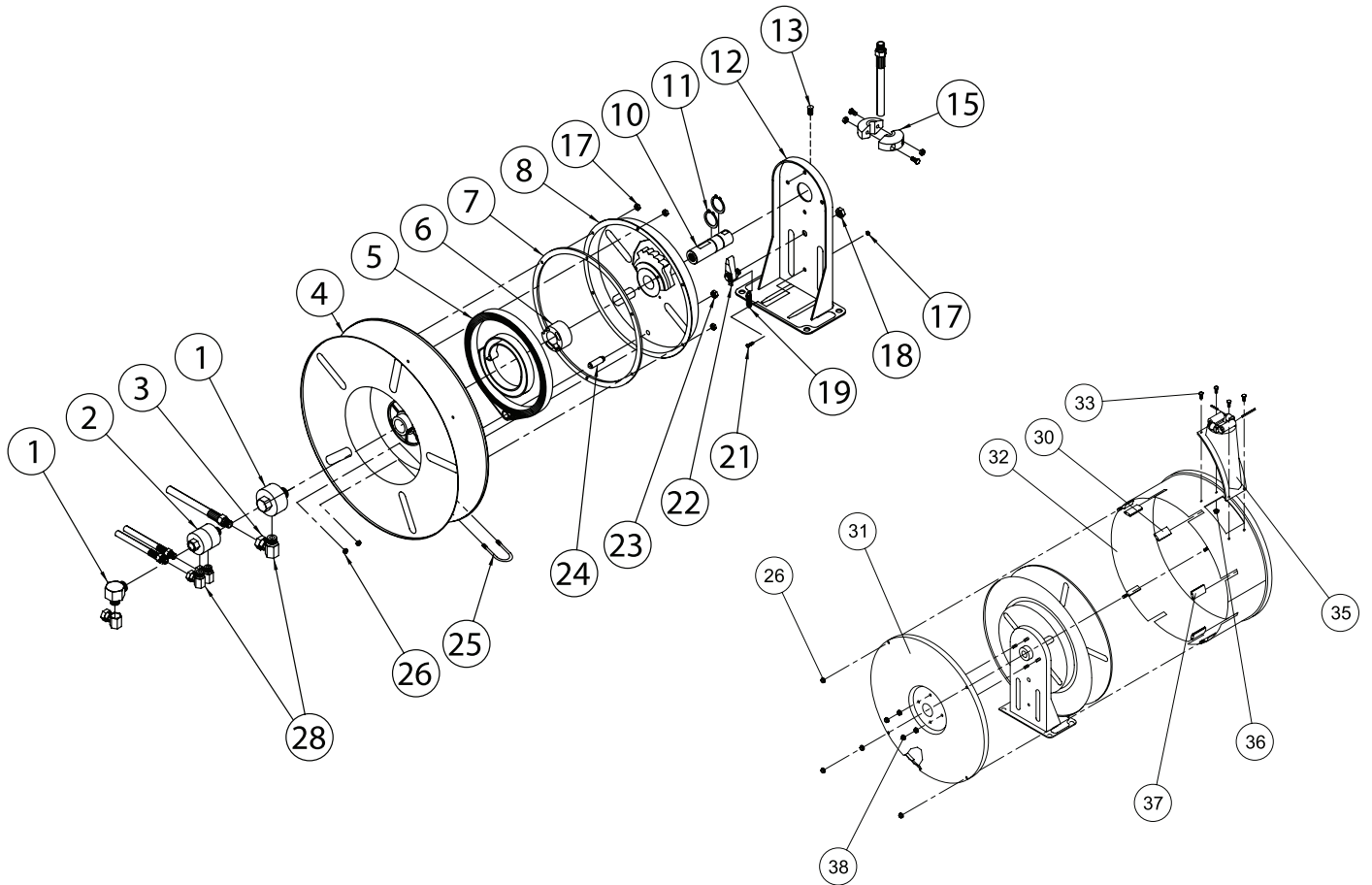


Figura A





ART. NO.	Descripción	NO. REQ.	7600 ELP	7640 ELP	7650 ELP	7670 ELP	7800 ELP	7830 ELP
1	Eje giratorio ensamblado	1	S600923-1	S600923-1	S600923-1	S600923-1	S600923-1	S600923-1
3	Codo de 90 grados	1	None	None	None	None	None	None
4	Polea ensamblada	1	S260011	S260011	S260011	S260011	S260011	S260011
5	Resorte ensamblado de propulcion	1	S260028	S260028-1	S260028-1	S260028-1	S260037	S260037
6	Resorte del arbol	1	S600621	S600621	S600621	S600621	S600621	S600621
7	Empaque	1	S260069	S260069	S260069	S260069	S260069	S260069
8	Resorte de la caja ensamblada	1	S260074	S260074	S260074	S260074	S260074	S260074
10	Columna principal	1	S260095	S260095	S260095	S260095	S260095	S260095
11	1 1/4" Anillo de resorte	1	300007	300007	300007	300007	300007 (x2)	300007
12	Base ensamblada	1	S600016	S600016	S600016	S600016	S600016	S600016
13	1/2-13 Tornillo	1	S35-84	S35-84	S35-84	S35-84	S35-84	S35-84
15	Parachoque ensamblada	1	None	1-HR1004-3	1-HR1004-3	1-HR1004-3	None	2-HR1004-3
17	10-32 x 3/8" écrou Nyloc	7	S82-15	S82-15	S82-15	S82-15	S82-15	S82-15
18	1/2-20 x 5/8" écrou hexagonal	1	S280-8	S280-8	S280-8	S280-8	S280-8	S280-8
19	Ressort de loquet	1	S260067	S260067	S260067	S260067	S260067	S260067
21	10-32 tornillo de hombro	1	S393-2	S393-2	S393-2	S393-2	S393-2	S393-2
22	Assemblage de cliquet	1	S600018	S600018	S600018	S600018	S600018	S600018
23	3/8-24 contre-écrou	1	S76-106	S76-106	S76-106	S76-106	S76-106	S76-106
24	Boulon de boîtier de ressort	1	S260031	S260031	S260031	S260031	S260031	S260031
25	Tornillo "u"	1	3-117440	3-117440	3-117440	3-117440	3-117440	3-117440
26	1/4-20 x 3/8" contre-écrou	6	261650-1	261650-1	261650-1	261650-1	261650-1	261650-1
28	Union del eje giratorio	1	S257-26	S257-26	S257-26	S257-26	S257-26	S257-26
30	Canal H	1	260547-2	260547-2	260547-2	260547-2	260547-2	260547-2
31	Cubierta Trasera	1	260491	260491	260491	260491	260491	260491
32	Cubierta/Ensamblada Encerrada	1	600188	600188	600188	600188	600188	600188
33	10-32 x 1/2" RH Tornillo	4	300001	300001	300001	300001	300001	300001
35	Rodillo Guia/Juego de Pernos	1	260032	260032	260032	260032	260032	260032
36	10 x 32 Tuerca de coneccion	4	906476	906476	906476	906476	906476	906476
37	Canal H	3	S260547-1	S260547-1	S260547-1	S260547-1	S260547-1	S260547-1
38	5/16 - 18 Tuerca	4	300107	300107	300107	300107	300107	300107
	Manguera del ensamblada		None	601014-40	601017-50	601017-70	None	601021-30
	Manguera I.D. y Medida		None	3/8" x 40'	3/8" x 50'	3/8 x 70'	None	1/2" x 30'
	Conexión de Entrada al Carretel		1/2" FPT	1/2" FPT	1/2" FPT	1/2" FPT	1/2" FPT	1/2" FPT
	Max. Presion de Operacion		500 PSI	300 PSI	300 PSI	300 PSI	500 PSI	300 PSI
	Max. Temperatura de Operacion		150 °F	150 °F	150 °F	150 °F	150 °F	150 °F

Series 7000 Carreteles para Mangueras

ART. NO.	Descripción	NO. REQ.	7840 ELP	7850 ELP	7600 EMP	7800 EMP	7830 EMP
1	Eje giratorio ensamblado	1	S600923-1	S600923-1	S600300	S600300	S600300
3	Codo de 90 grados	1	None	None	None	None	None
4	Polea ensamblada	1	S260011	S260011	S260011	S260011	S260011
5	Resorte ensamblado de propulcion	1	S260037	S260037	S260053	S260053	S260053
6	Resorte del arbol	1	S600621	S600621	S600621	S600621	S600621
7	Empaque	1	S260069	S260069	S260069	S260069	S260069
8	Resorte de la caja ensamblada	1	S260074	S260074	S260074	S260074	S260074
10	Columna principal	1	S260095	S260095	S260095	S260095	S260095
11	1 1/4" Anillo de resorte	1	300007	300007	300007	300007	300007
12	Base ensamblada	1	S600016	S600016	S600016	S600016	S600016
13	1/2-13 Tornillo	1	S35-84	S35-84	S35-84	S35-84	S35-84
15	Parachoque ensamblada	1	2-HR1004-3	2-HR1004-3	None	None	2-HR1004-3
17	10-32 x 3/8" écrou Nyloc	7	S82-15	S82-15	S82-15	S82-15	S82-15
18	1/2-20 x 5/8" écrou hexagonal	1	S280-8	S280-8	S280-8	S280-8	S280-8
19	Ressort de loquet	1	S260067	S260067	S260067	S260067	S260067
21	10-32 tornillo de hombro	1	S393-2	S393-2	S393-2	S393-2	S393-2
22	Assemblage de cliquet	1	S600018	S600018	S600018	S600018	S600018
23	3/8-24 contre-écrou	1	S76-106	S76-106	S76-106	S76-106	S76-106
24	Boulon de boîtier de ressort	1	S260031	S260031	S260031	S260031	S260031
25	Tornillo "u"	1	3-117440	3-117440	3-117440	3-117440	3-117440
26	1/4-20 x 3/8" contre-écrou	6	261650-1	261650-1	261650-1	261650-1	261650-1
28	Union del eje giratorio	1	S257-26	S257-26	S257-26	S257-26	S257-26
30	Canal H	1	260547-2	260547-2	260547-2	260547-2	260547-2
31	Cubierta Trasera	1	260491	260491	260491	260491	260491
32	Cubierta/Ensamblada Encerrada	1	600188	600188	600188	600188	600188
33	10-32 x 1/2" RH Tornillo	4	300001	300001	300001	300001	300001
35	Rodillo Guia/Juego de Pernos	1	260032	260032	260032	260032	260032
36	10 x 32 Tuerca de coneccion	4	906476	906476	906476	906476	906476
37	Canal H	3	S260547-1	S260547-1	S260547-1	S260547-1	S260547-1
38	5/16 - 18 Tuerca	4	300107	300107	300107	300107	300107
	Manguera del ensamblada		601019-40	601021-50	None	None	6-260043
	Manguera I.D. y Medida		1/2" x 40'	1/2" x 50'	None	None	1/2" x 30'
	Conexion de Entrada al Carretel		1/2" FPT	1/2" FPT	1/2" FPT	1/2" FPT	1/2" FPT
	Max. Presion de Operacion		300 PSI	300 PSI	3000 PSI	3250 PSI	3250 PSI
	Max. Temperatura de Operacion		150 °F	150 °F	210 °F	210 °F	210 °F

ART. NO.	Descripción	NO. REQ.	7850 EMP	7400 EHP	7450 EHP	7600 EHP	7650 EHP
1	Eje giratorio ensamblado	1	S600300	S602110	S602110	S602110	S602110
3	Codo de 90 grados	1	None	None	None	None	None
4	Polea ensamblada	1	S260011	S600364	S600364	S600364	S600364
5	Resorte ensamblado de propulcion	1	S260053	S260053	S260053	S260053	S260053
6	Resorte del arbol	1	S600621	S600621	S600621	S600621	S600621
7	Empaque	1	S260069	S260069	S260069	S260069	S260069
8	Resorte de la caja ensamblada	1	S260074	S260074	S260074	S260074	S260074
10	Columna principal	1	S260095	S260095	S260095	S260095	S260095
11	1 1/4" Anillo de resorte	1	300007	300007	300007	300007	300007
12	Base ensamblada	1	S600016	S600016	S600016	S600016	S600016
13	1/2-13 Tornillo	1	S35-84	S35-84	S35-84	S35-84	S35-84
15	Parachoque ensamblada	1	2-HR1004-3	None	1-HR1004-3A	None	1-HR1004-3
17	10-32 x 3/8" écrou Nyloc	7	S82-15	S82-15	S82-15	S82-15	S82-15
18	1/2-20 x 5/8" écrou hexagonal	1	S280-8	S280-8	S280-8	S280-8	S280-8
19	Ressort de loquet	1	S260067	S260067	S260067	S260067	S260067
21	10-32 tornillo de hombro	1	S393-2	S393-2	S393-2	S393-2	S393-2
22	Assemblage de cliquet	1	S600018	S600018	S600018	S600018	S600018
23	3/8-24 contre-écrou	1	S76-106	S76-106	S76-106	S76-106	S76-106
24	Boulon de boîtier de ressort	1	S260031	S260031	S260031	S260031	S260031
25	Tornillo "u"	1	3-117440	3-117440	3-117440	3-117440	3-117440
26	1/4-20 x 3/8" contre-écrou	6	261650-1	261650-1	261650-1	261650-1	261650-1
28	Union del eje giratorio	1	S257-26	S257-72	S257-72	S257-72	S257-72
30	Canal H	1	260547-2	260547-2	260547-2	260547-2	260547-2
31	Cubierta Trasera	1	260491	260491	260491	260491	260491
32	Cubierta/Ensamblada Encerrada	1	600188	600188	600188	600188	600188
33	10-32 x 1/2" RH Tornillo	4	300001	300001	300001	300001	300001
35	Rodillo Guia/Juego de Pernos	1	260032	260032	260032	260032	260032
36	10 x 32 Tuerca de coneccion	4	906476	906476	906476	906476	906476
37	Canal H	3	S260547-1	S260547-1	S260547-1	S260547-1	S260547-1
38	5/16 - 18 Tuerca	4	300107	300107	300107	300107	300107
	Manguera del ensamblada		8-260043	None	9-260044	None	5-260044
	Manguera I.D. y Medida		1/2" x 50'	None	1/4" x 50'	None	3/8" x 50'
	Conexion de Entrada al Carretel		1/2" FPT	1/2" FPT	1/2" FPT	1/2" FPT	1/2" FPT
	Max. Presion de Operacion		3250 PSI	5000 PSI	5000 PSI	5000 PSI	4800 PSI
	Max. Temperatura de Operacion		210 °F	210 °F	210 °F	210 °F	210 °F

Instructions D'Opération

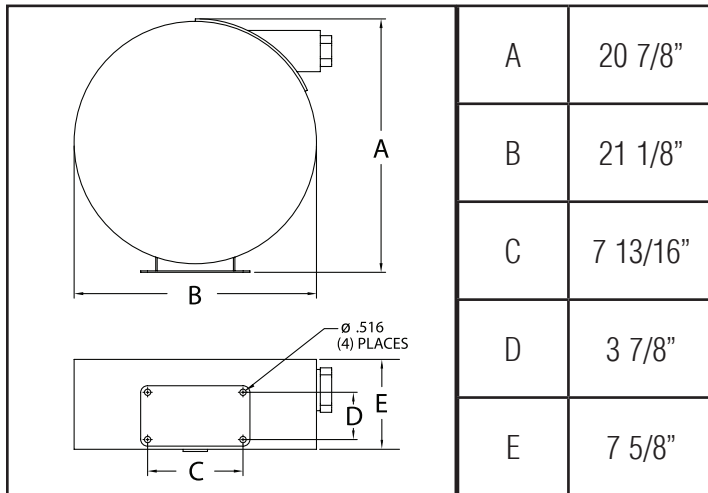
Série 7000 Enrouleurs de Tuyau

Bas, milieu et numéros de type à haute pression:

7600 ELP	7830 ELP	7830 EMP	7650 EHP
7640 ELP	7840 ELP	7850 EMP	
7650 ELP	7850 ELP	7400 EHP	
7670 ELP	7600 EMP	7450 EHP	
7800 ELP	7800 EMP	7600 EHP	



Dimensions



IMPORTANT

Lisez ce manuel soigneusement avant d'installer, actionner, ou entretenir cet équipement.

Sécurité

Podrían ocurrir lesiones personales y/o daños en el equipo si no se siguen las instrucciones de seguridad adecuadas.

- Assurez-vous que l'enrouleur est correctement installé avant de raccorder les tuyaux d'entrée et de sortie.
- Evacuez tout liquide/gaz sous pression du système avant d'entreprendre l'entretien de l'enrouleur.
- Avant de raccorder l'enrouleur à la ligne d'alimentation, assurez-vous que la pression n'excède pas la pression de fonctionnement nominale maximum de l'enrouleur.
- Souvenez-vous, même les pressions basses sont dangereuses et peuvent provoquer des blessures ou la mort.
- Ayez conscience des machines et des personnes se trouvant dans la zone de travail.
- Si une fuite apparaît dans le tuyau ou l'enrouleur, décompressez le système immédiatement.
- L'enrouleur comporte un assemblage à ressort de haute tension. Observez la plus grande prudence.
- Sortez le tuyau de l'enrouleur en tirant sur le tuyau lui-même, pas sur l'embout.
- Si l'enrouleur arrête d'enrouler ou de dérouler, décompressez le système immédiatement. Ne pas tirer ou secouer le tuyau !
- Comme avec toute autre machine, traitez l'enrouleur de tuyau avec respect, en observant les consignes de sécurité habituelles.

CONSIGNES D'INSTALLATION

MONTAMIENTO

PRECAUCION: A menos que el riel haya sido especificado diiferentemente cuando se ordeno, el maximo de instalacion es de 16 pies. No exeda esta distancia.

1. Desempaque e inspeccione si el riel esta dañado. Girelo con la mano suave y revise su integridad.
2. Configure el riel por arriba, abajo o lados, enrrolle el dispensador de la manguera para remover las tuercas (1) Asegurando la guia de soporte de el brazo para escoger el sitio, reemplaze las tuercas.
3. Posicione el carretel sobre el piso, pared o techo. Asegurese de instalarlo usando cuatro tornillos (abastecidos al cliente) y (3) tuercas.

INSTALLATION DES TUYAUX D'ENTRÉS

MIS EN GARDE: Assurez-vous que la pression du tuyau d'alimentation ne dépasse pas la pression maximum qui est specifié pour l'enrouleur. Appliquez du materiau d'étanchiété pour les filets de tuyau à tous les filets uniquement sur les enrouleurs. **AVERTISSEMENT:** Utilisez un raccord flexible à l'entrée. N'utilisez pas les tuyaux rigides.

1. Connectez la ligne d'alimentation (4) à la manche d'entrée principale (5) comme indiqué.

INSTALLATION DES TUYAUX DE SORTIES

MIS EN GARDE: Faites attention; enrouleur sous tension! Évitez de lâcher le mécanisme d'accrochage. Appliquez du matériau d'étanchéité pour les filets du tuyau à tous les filets uniquement sur les enrouleurs.

1. Tournez à la main la poulie (10) jusqu'au ressort est tendu, puis-tournez-la 3 tours à la sense opposite, puis fermez au loquet.
2. Guidez le(s) tuyau(x) (11) à travers le support guide, les boulons en U (12), et puis à travers le trou (13) dans l'enrouleur comme indiqué.
3. Connectez le(s) tuyau(x) (11) au raccord tournant (14) comme indiqué.
4. Serrez bien le boulons en U.
5. Chargez le(s) tuyau(x). Ouvrez momentanément la vanne de régulation pour évacuer le(s) tuyau(x) des gaz. Quand du fluide arrive à la vanne de régulation, fermez-la. Lorsque le(s) tuyau(x) sont completement chargé(s), relâchez le mécanisme d'accrochage et enrrollez le(s) tuyau(x) de sortie sur l'enrouleur.

RÉGLAGES

MISE EN GARDE: Faites attention; enrouleur sous tension. Évitez de relâcher le mécanisme d'accrochage. Au besoin, réglez la tension du ressort l'enrouleur en ajoutant ou en enlevant un tour de câble à la fois jusqu'à l'obtention de la tension désirée. Ajoutez un tour de câble pour

augmenter la tension. Enlevez un tour pour l'effet contraire.

DIRECTIVES DE MAINTENANCE

La maintenance de l'enrouleur par l'utilisateur est limitée à la remplacement des tuyaux d'entrée et de sortie. Signalez tout autre problème seulement à une personne autorisée ou directement à Reelcraft. Inobservation de le faire peut résulter en blessure personnel et/ou le dommage d'équipement. En plus, la garantie peut être annulée. **MISE EN GARDE:** Rebobinez le tuyau à l'enrouleur, et puis évacuez la pression du système avant de faire ce qui suit.

1. Remplacez les tuyaux comme décrité au paragraphe "Instructions d'Installation" qui se trouve dans ce manuel.

AVERTISSEMENT: Quand vous remplacez le ressort de mouvement, maintenez-le bien en place lorsque le moyeu est enlevé. Si le centre du ressort peut se lever, il peut échapper de son conteneur avec assez de force de causer des blessures. En jetant de vieux assemblages ou des assemblages cassés, les câbles doivent être soudés ensemble ou fixés ensemble pour éviter des blessures possibles aux ferrailleurs.

1. Toutes les pièces qui se touchent en mouvant doivent être lubrifiées avec du Perma Bond ou du Loctite (composé qui empêche le grippage).

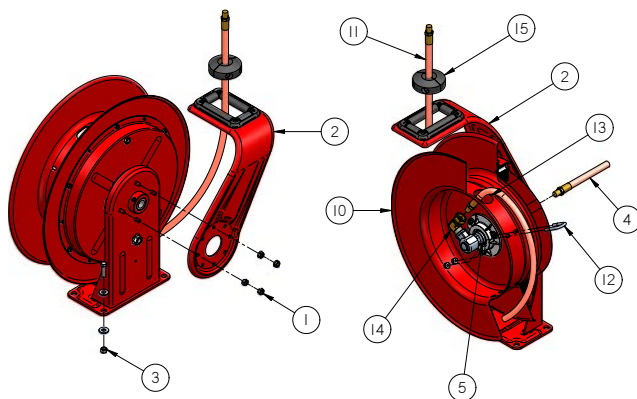
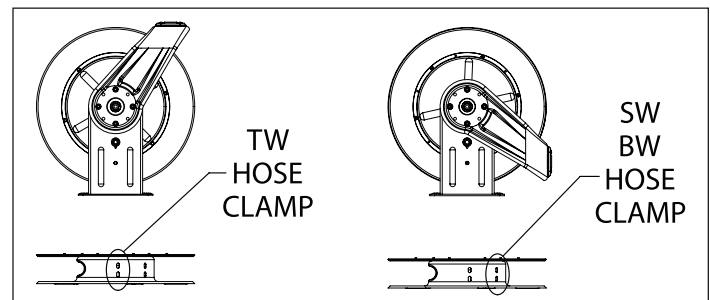
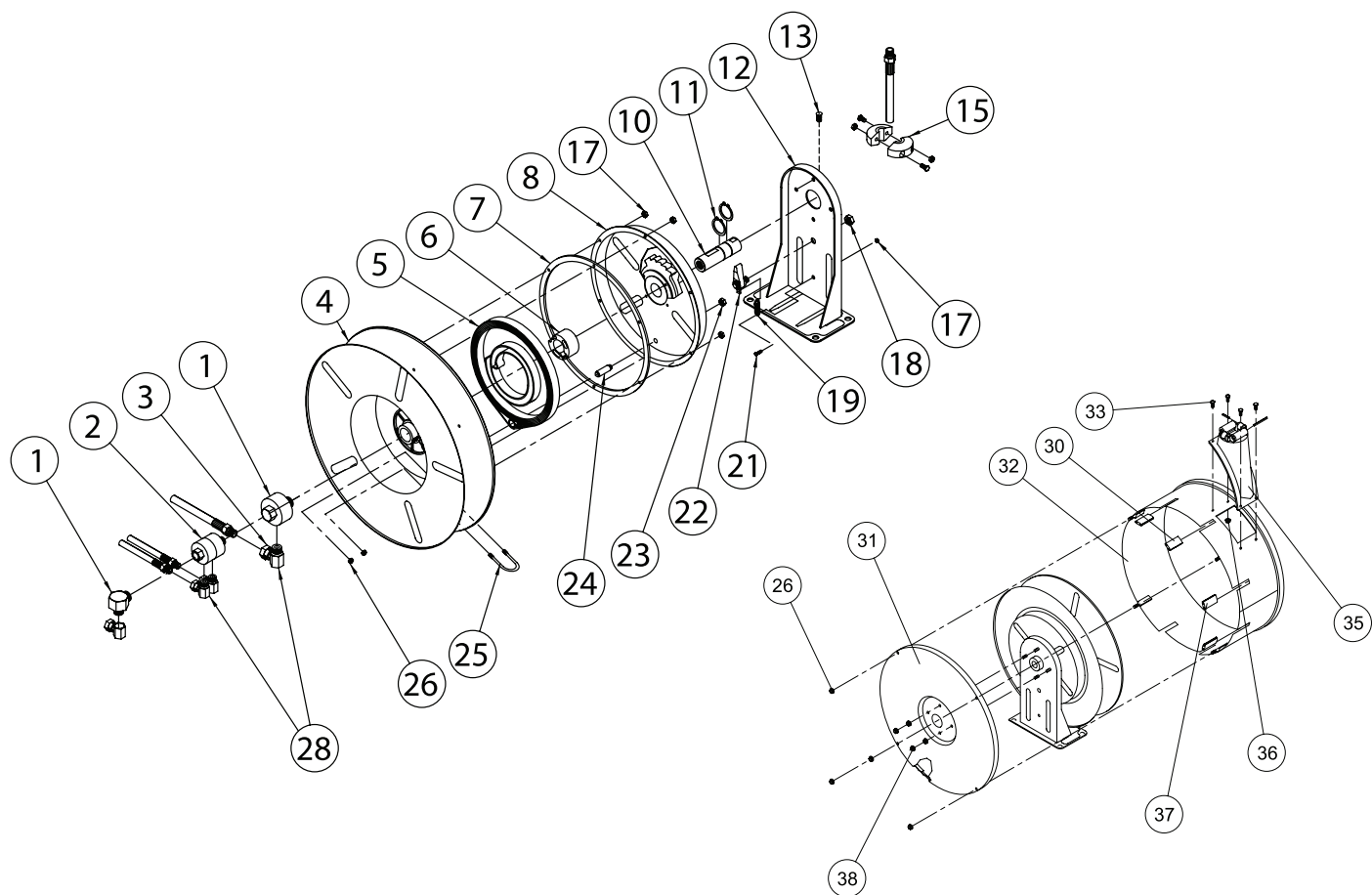


Figure A





ART N°.	DÉSCRIPTION	N° REQ.	7600 ELP	7640 ELP	7650 ELP	7670 ELP	7800 ELP	7830 ELP
1	Assemblage de pivot	1	S600923-1	S600923-1	S600923-1	S600923-1	S600923-1	S600923-1
3	Coude à 90°	1	None	None	None	None	None	None
4	Assemblage de poulie	1	S260011	S260011	S260011	S260011	S260011	S260011
5	Assemblage de ressort de mouvement	1	S260028	S260028-1	S260028-1	S260028-1	S260037	S260037
6	Mandrin de ressort	1	S600621	S600621	S600621	S600621	S600621	S600621
7	Joint d'étanchéité	1	S260069	S260069	S260069	S260069	S260069	S260069
8	Assemblage de boîtier de ressort	1	S260074	S260074	S260074	S260074	S260074	S260074
10	Arbre principal	1	S260095	S260095	S260095	S260095	S260095	S260095
11	1 1/4" dispositif de retenue	1	300007	300007	300007	300007	300007 (x2)	300007
12	Assemblage de base	1	S600016	S600016	S600016	S600016	S600016	S600016
13	1/2-13 vis sans tête	1	S35-84	S35-84	S35-84	S35-84	S35-84	S35-84
15	Assemblage d'arrêt	1	None	1-HR1004-3	1-HR1004-3	1-HR1004-3	None	2-HR1004-3
17	10-32 x 3/8" écrou Nyloc	7	S82-15	S82-15	S82-15	S82-15	S82-15	S82-15
18	1/2-20 x 5/8" écrou hexagonal	1	S280-8	S280-8	S280-8	S280-8	S280-8	S280-8
19	Ressort de loquet	1	S260067	S260067	S260067	S260067	S260067	S260067
21	10-32 vis à épaulement	1	S393-2	S393-2	S393-2	S393-2	S393-2	S393-2
22	Assemblage de cliquet	1	S600018	S600018	S600018	S600018	S600018	S600018
23	3/8-24 contre-écrou	1	S76-106	S76-106	S76-106	S76-106	S76-106	S76-106
24	Boulon de boîtier de ressort	1	S260031	S260031	S260031	S260031	S260031	S260031
25	Boulon en U	1	3-117440	3-117440	3-117440	3-117440	3-117440	3-117440
26	1/4-20 x 3/8" contre-écrou	6	261650-1	261650-1	261650-1	261650-1	261650-1	261650-1
28	Union de pivot	1	S257-26	S257-26	S257-26	S257-26	S257-26	S257-26
30	La Manche de H	1	260547-2	260547-2	260547-2	260547-2	260547-2	260547-2
31	Couverture arrière	1	260491	260491	260491	260491	260491	260491
32	Assemblage de couverture/clôture	1	600188	600188	600188	600188	600188	600188
33	10-32 x 1/2" RH Vis	4	300001	300001	300001	300001	300001	300001
35	Guide de tuyau/Assemblage de rouleau	1	260032	260032	260032	260032	260032	260032
36	10 x 32 Ecrou de prise	4	906476	906476	906476	906476	906476	906476
37	La Manche de H	3	S260547-1	S260547-1	S260547-1	S260547-1	S260547-1	S260547-1
38	5/16 - 18 contre-écrou Nyloc	4	300107	300107	300107	300107	300107	300107
	Assemblage de tuyau		None	601014-40	601017-50	601017-70	None	601021-30
	Longueur et Diamètre Intérieur du Tuyau		None	3/8" x 40'	3/8" x 50'	3/8 x 70'	None	1/2" x 30'
	Raccord d'entrée d'enrouleur		1/2" FPT	1/2" FPT	1/2" FPT	1/2" FPT	1/2" FPT	1/2" FPT
	Pression d'opération maximum		500 PSI	300 PSI	300 PSI	300 PSI	500 PSI	300 PSI
	Température d'opération maximum		150 °F	150 °F	150 °F	150 °F	150 °F	150 °F

Série 7000 Enrouleurs de Tuyau

ART N°.	DÉSCRIPTION	N° REQ.	7840 ELP	7850 ELP	7600 EMP	7800 EMP	7830 EMP
1	Assemblage de pivot	1	S600923-1	S600923-1	S600300	S600300	S600300
3	Coude à 90°	1	None	None	None	None	None
4	Assemblage de poulie	1	S260011	S260011	S260011	S260011	S260011
5	Assemblage de ressort de mouvement	1	S260037	S260037	S260053	S260053	S260053
6	Mandrin de ressort	1	S600621	S600621	S600621	S600621	S600621
7	Joint d'étanchéité	1	S260069	S260069	S260069	S260069	S260069
8	Assemblage de boîtier de ressort	1	S260074	S260074	S260074	S260074	S260074
10	Arbre principal	1	S260095	S260095	S260095	S260095	S260095
11	1 1/4" dispositif de retenue	1	300007	300007	300007	300007	300007
12	Assemblage de base	1	S600016	S600016	S600016	S600016	S600016
13	1/2-13 vis sans tête	1	S35-84	S35-84	S35-84	S35-84	S35-84
15	Assemblage d'arrêt	1	2-HR1004-3	2-HR1004-3	None	None	2-HR1004-3
17	10-32 x 3/8" écrou Nyloc	7	S82-15	S82-15	S82-15	S82-15	S82-15
18	1/2-20 x 5/8" écrou hexagonal	1	S280-8	S280-8	S280-8	S280-8	S280-8
19	Ressort de loquet	1	S260067	S260067	S260067	S260067	S260067
21	10-32 vis à épaulement	1	S393-2	S393-2	S393-2	S393-2	S393-2
22	Assemblage de cliquet	1	S600018	S600018	S600018	S600018	S600018
23	3/8-24 contre-écrou	1	S76-106	S76-106	S76-106	S76-106	S76-106
24	Boulon de boîtier de ressort	1	S260031	S260031	S260031	S260031	S260031
25	Boulon en U	1	3-117440	3-117440	3-117440	3-117440	3-117440
26	1/4-20 x 3/8" contre-écrou	6	261650-1	261650-1	261650-1	261650-1	261650-1
28	Union de pivot	1	S257-26	S257-26	S257-26	S257-26	S257-26
30	La Manche de H	1	260547-2	260547-2	260547-2	260547-2	260547-2
31	Couverture arrière	1	260491	260491	260491	260491	260491
32	Assemblage de couverture/clôture	1	600188	600188	600188	600188	600188
33	10-32 x 1/2" RH Vis	4	300001	300001	300001	300001	300001
35	Guide de tuyau/Assemblage de rouleau	1	260032	260032	260032	260032	260032
36	10 x 32 Écrou de prise	4	906476	906476	906476	906476	906476
37	La Manche de H	3	S260547-1	S260547-1	S260547-1	S260547-1	S260547-1
38	5/16 - 18 contre-écrou Nyloc	4	300107	300107	300107	300107	300107
Assemblage de tuyau			601019-40	601021-50	None	None	6-260043
Longeur et Diamètre Intérieur du Tuyau			1/2" x 40'	1/2" x 50'	None	None	1/2" x 30'
Raccord d'entrée d'enrouleur			1/2" FPT	1/2" FPT	1/2" FPT	1/2" FPT	1/2" FPT
Pression d'opération maximum			300 PSI	300 PSI	3000 PSI	3250 PSI	3250 PSI
Température d'opération maximum			150 °F	150 °F	210 °F	210 °F	210 °F

ART N°.	DÉSCRIPTION	N° REQ.	7850 EMP	7400 EHP	7450 EHP	7600 EHP	7650 EHP
1	Assemblage de pivot	1	S600300	S602110	S602110	S602110	S602110
3	Coude à 90°	1	None	None	None	None	None
4	Assemblage de poulie	1	S260011	S600364	S600364	S600364	S600364
5	Assemblage de ressort de mouvement	1	S260053	S260053	S260053	S260053	S260053
6	Mandrin de ressort	1	S600621	S600621	S600621	S600621	S600621
7	Joint d'étanchéité	1	S260069	S260069	S260069	S260069	S260069
8	Assemblage de boîtier de ressort	1	S260074	S260074	S260074	S260074	S260074
10	Arbre principal	1	S260095	S260095	S260095	S260095	S260095
11	1 1/4" dispositif de retenue	1	300007	300007	300007	300007	300007
12	Assemblage de base	1	S600016	S600016	S600016	S600016	S600016
13	1/2-13 vis sans tête	1	S35-84	S35-84	S35-84	S35-84	S35-84
15	Assemblage d'arrêt	1	2-HR1004-3	None	1-HR1004-3A	None	1-HR1004-3
17	10-32 x 3/8" écrou Nyloc	7	S82-15	S82-15	S82-15	S82-15	S82-15
18	1/2-20 x 5/8" écrou hexagonal	1	S280-8	S280-8	S280-8	S280-8	S280-8
19	Ressort de loquet	1	S260067	S260067	S260067	S260067	S260067
21	10-32 vis à épaulement	1	S393-2	S393-2	S393-2	S393-2	S393-2
22	Assemblage de cliquet	1	S600018	S600018	S600018	S600018	S600018
23	3/8-24 contre-écrou	1	S76-106	S76-106	S76-106	S76-106	S76-106
24	Boulon de boîtier de ressort	1	S260031	S260031	S260031	S260031	S260031
25	Boulon en U	1	3-117440	3-117440	3-117440	3-117440	3-117440
26	1/4-20 x 3/8" contre-écrou	6	261650-1	261650-1	261650-1	261650-1	261650-1
28	Union de pivot	1	S257-26	S257-72	S257-72	S257-72	S257-72
30	La Manche de H	1	260547-2	260547-2	260547-2	260547-2	260547-2
31	Couverture arrière	1	260491	260491	260491	260491	260491
32	Assemblage de couverture/clôture	1	600188	600188	600188	600188	600188
33	10-32 x 1/2" RH Vis	4	300001	300001	300001	300001	300001
35	Guide de tuyau/Assemblage de rouleau	1	260032	260032	260032	260032	260032
36	10 x 32 Écrou de prise	4	906476	906476	906476	906476	906476
37	La Manche de H	3	S260547-1	S260547-1	S260547-1	S260547-1	S260547-1
38	5/16 - 18 contre-écrou Nyloc	4	300107	300107	300107	300107	300107
Assemblage de tuyau			8-260043	None	9-260044	None	5-260044
Longeur et Diamètre Intérieur du Tuyau			1/2" x 50'	None	1/4" x 50'	None	3/8" x 50'
Raccord d'entrée d'enrouleur			1/2" FPT	1/2" FPT	1/2" FPT	1/2" FPT	1/2" FPT
Pression d'opération maximum			3250 PSI	5000 PSI	5000 PSI	5000 PSI	4800 PSI
Température d'opération maximum			210 °F	210 °F	210 °F	210 °F	210 °F